

CS-HTP Miniature High Temperature Pressure Sensor



FEATURES

- $\leq \pm 0.15\%$ BFSL accuracy
- Pressures up to 30,000 PSI
- High strength titanium BT9 sensing element
- Operating temperature from -195 to $+204^{\circ}\text{C}$
- Optional PT1000 temperature output

COMMON APPLICATIONS

- Test stands
- Autosports
- Aerospace controls
- Cryogenics

SPECIFICATIONS

Performance @ 25°C

Accuracy*	$\leq \pm 0.15\%$ BFSL
Stability (1 Year)	$\leq \pm 0.25\%$ of FS
Overpressure ($\leq 10,000$ PSI)	2X rated pressure
Burst Pressure ($\leq 10,000$ PSI)	5X rated pressure
Overpressure ($>10,000$ PSI)	1.3X rated pressure
Burst pressure ($>10,000$ PSI)	2X rated pressure

*Accuracy includes non-linearity, hysteresis and non-repeatability

Thermal

Operating Temperature	-195 to $+204^{\circ}\text{C}$
TC Zero	0.025% FS per $^{\circ}\text{C}$, typical
TC Span	0.05% FS per $^{\circ}\text{C}$, typical

Environmental

EMI/RFI Protection	No
Linear Vibration	10g, 10 to 1000Hz
Shock	100g, 11msec, 1/2 sine
Weight (excluding cable)	35 grams, typical

Electrical

	Millivolt
Excitation*	10VDC, typical 12VDC, max
Full Scale Output @ 10VDC	100mV, min 125mV, typical
Isolation Voltage	500VDC
Input & Output Impedance	3.5K Ω , typical
Response Time	0.1ms, typical 0.2ms, max
Zero Offset (of FS)	$\pm 5\%$ FSO

For wiring information, visit core-sensors.com/wiring

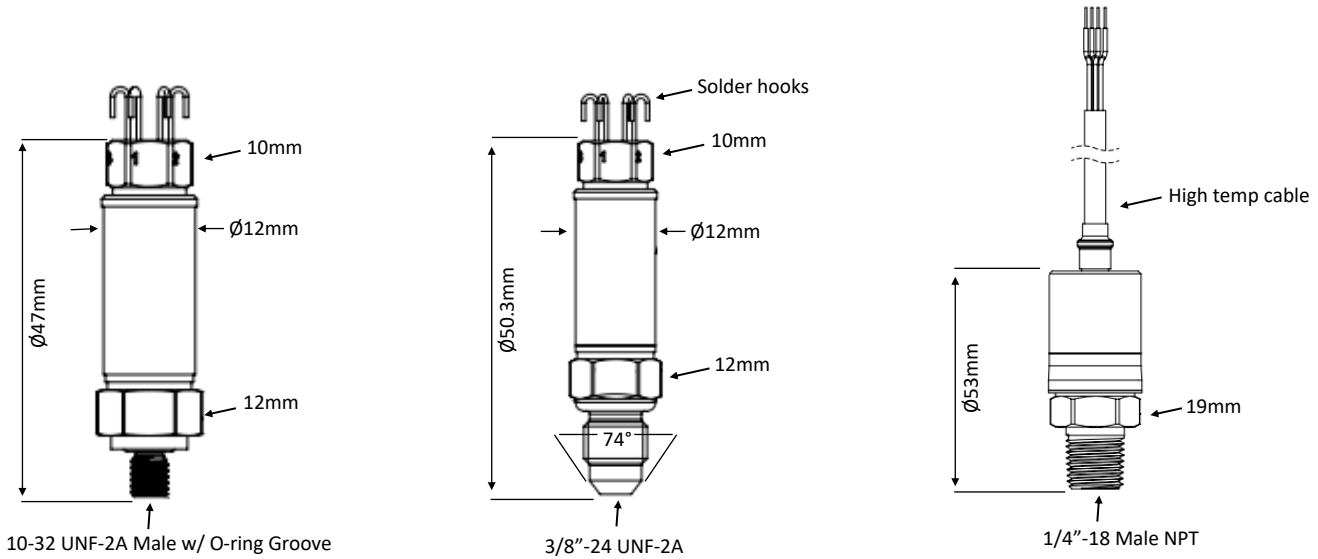
* Sensor will operate off of any voltage up to 12VDC. Output is ratiometric to supply voltage used.

Process Connection Max Pressure Guide

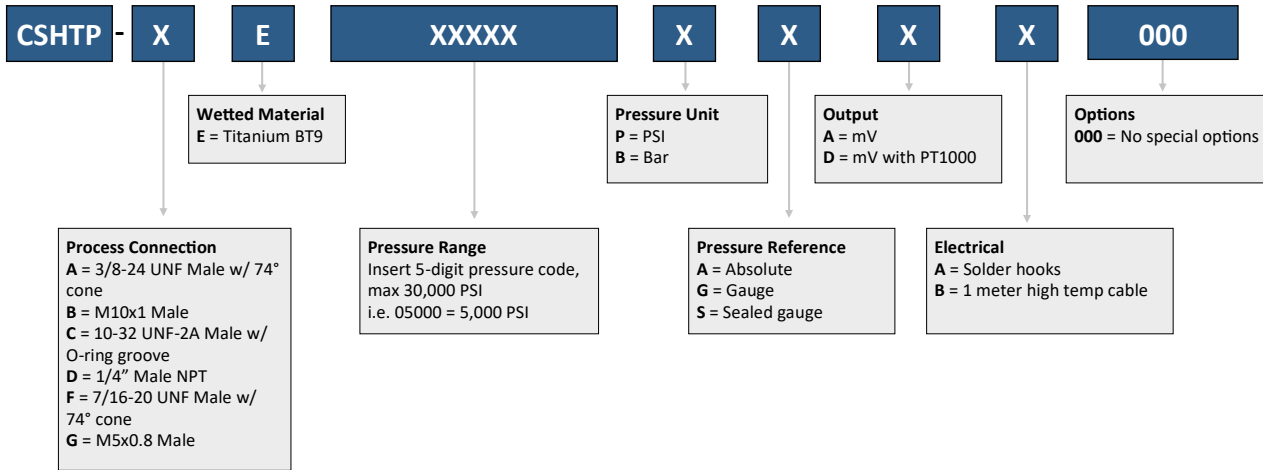
10-32 UNF-2A Male w/ O-ring groove	3,000 PSI
M5x0.8 Male	3,000 PSI
M10x1 Male	10,000 PSI
1/4" Male NPT	10,000 PSI
3/8-24 UNF Male w/ 74° Cone	30,000 PSI
7/16-20 UNF Male w/ 74° Cone	30,000 PSI

DIMENSIONS

*Dimensions are for reference only
Contact Core Sensors for an outline drawing of a specific configuration.



MODEL NUMBER CONFIGURATION



Ordering Example: CSHTP-AE01000BSAA000 (3/8-24 UNF Male w/ 74° cone, Titanium BT9, 0-1000 Bar sealed gauge, mV, Solder hooks)
Not all configurations are available. Our sales team can recommend the closest available configuration based on your requirements.
Contact Core Sensors for configurations not shown.
Visit our [How To Buy](#) page or [contact us](#) for a quote.