

CS-HTR High Temperature Ratiometric Pressure Sensor



FEATURES

- $\leq \pm 0.15\%$ BFSL accuracy
- Pressures up to 20,000 PSI
- High strength titanium BT9 sensing element
- Amplified 0.5-4.5V ratiometric output signal
- Optional PT1000 temperature output

COMMON APPLICATIONS

- Test stands
- Autosports
- Aerospace controls

SPECIFICATIONS

Performance @ 25°C

Accuracy*	$\leq \pm 0.15\%$ BFSL
Stability (1 Year)	$\leq \pm 0.25\%$ of FS
Overpressure ($\leq 10,000$ PSI)	2X rated pressure
Burst Pressure ($\leq 10,000$ PSI)	5X rated pressure
Overpressure ($>10,000$ PSI)	1.3X rated pressure
Burst pressure ($>10,000$ PSI)	2X rated pressure

*Accuracy includes non-linearity, hysteresis and non-repeatability

Thermal

Ambient Temperature	-50 to +140°C
Media Temperature	-50 to +170°C
Compensated Temperature	-40 to +105°C
TC Over Compensated Temp	2% of FS, max

Environmental

EMI/RFI Protection	Yes
Linear Vibration	10g, 10 to 1000Hz
Shock	100g, 11msec, 1/2 sine
Weight (excluding cable)	35 grams, typical

Electrical

	0.5-4.5V Ratiometric
Excitation	5VDC, $\pm 0.5V$, regulated
Supply Current	$< 10mA$
Full Scale Output	4.5V
Isolation Resistance	100M Ω (pin to case @ 500VDC)
Output Resistor	$> 4.7 K\Omega$
Response Time (10-90%)	1ms, typical 2ms, max

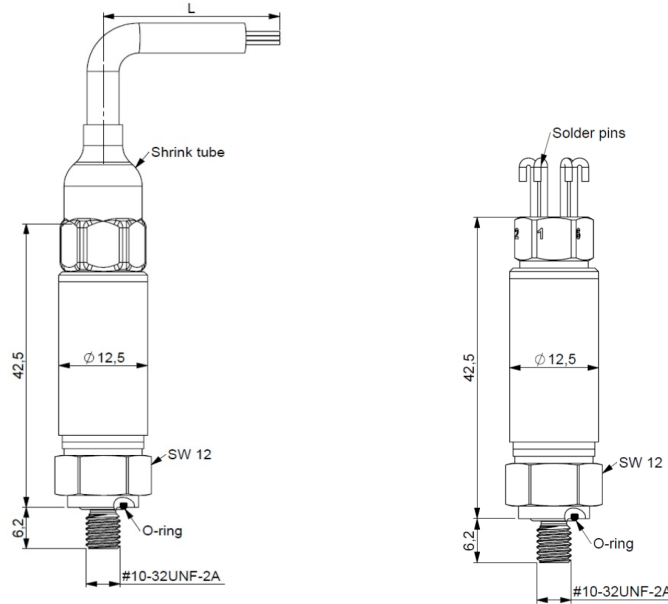
For wiring information, visit core-sensors.com/wiring

Process Connection Max Pressure Guide

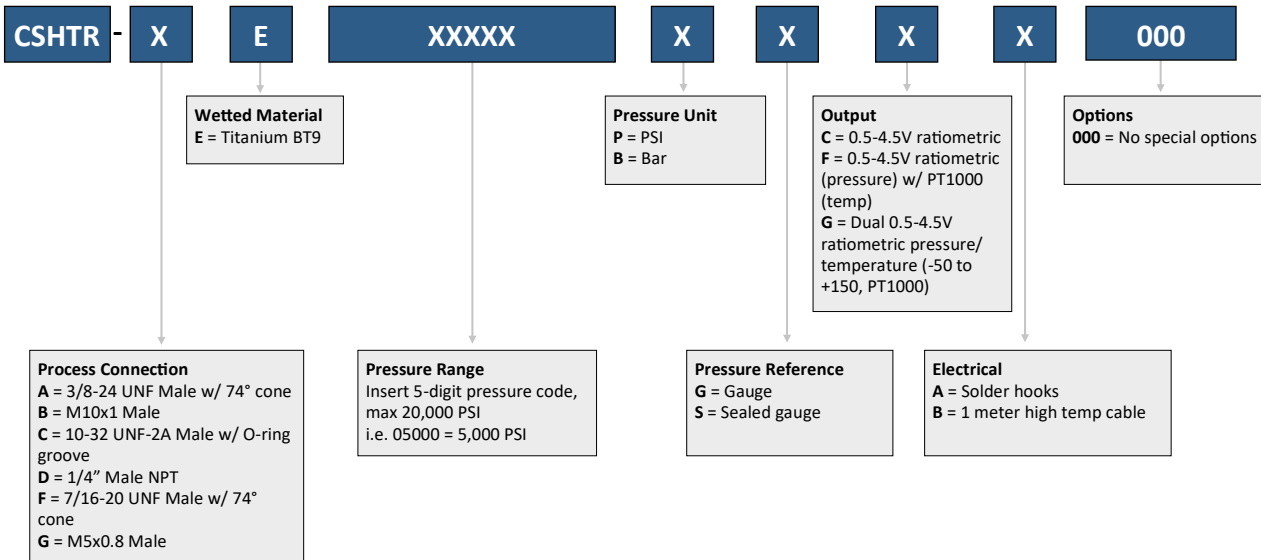
10-32 UNF-2A Male w/ O-ring groove	3,000 PSI
M5x0.8 Male	3,000 PSI
M10x1 Male	10,000 PSI
1/4" Male NPT	10,000 PSI
3/8-24 UNF Male w/ 74° Cone	20,000 PSI
7/16-20 UNF Male w/ 74° Cone	20,000 PSI

DIMENSIONS

*Dimensions are for reference only
Contact Core Sensors for an outline drawing of a specific configuration.



MODEL NUMBER CONFIGURATION



Ordering Example: CSHTR-AE01000BSCA000 (3/8-24 UNF Male w/ 74° cone, Titanium BT9, 0-1000 Bar sealed gauge, 0.5-4.5V ratiometric, Solder hooks)
Not all configurations are available. Our sales team can recommend the closest available configuration based on your requirements.
Contact Core Sensors for configurations not shown.
Visit our [How To Buy](#) page or [contact us](#) for a quote.