

# CS11 Compact Media Isolated Pressure Sensor



## FEATURES

- Pressures from 2 PSI up to 2,000 PSI
- Compact design
- 10mV/V output signal
- Wide operating temperature

## APPROVALS / CERTIFICATIONS

- ✓ CE

## COMMON APPLICATIONS

- Low pressure monitoring
- General industrial equipment
- Pressure measurement in confined spaces
- Control panels



## SPECIFICATIONS

### Performance @ 25°C

<b>Accuracy*</b>	≤ ±0.25% BFSL ≤ ±0.5% BFSL (2 PSI)
<b>Stability (1 Year)</b>	≤ ±0.25% of FS
<b>Pressure Cycles</b>	10 million
<b>Overpressure</b>	2X minimum
<b>Burst Pressure</b>	5X or 4,000 PSI, whichever is less

\*Accuracy includes non-linearity, hysteresis and non-repeatability

### Environmental

<b>EMI/RFI Protection</b>	No
<b>Vibration</b>	10g, 20 to 2000Hz
<b>Shock</b>	100g, 11msec, 1/2 sine

### Thermal

<b>Operating Temperature</b>	-40 to +120°C
<b>Media Temperature</b>	-40 to +120°C
<b>Compensated Temperature</b>	0 to +70°C
<b>Storage Temperature</b>	-40 to +125°C
<b>TC Zero</b>	≤ ±1.5% of FS ≤ ±2% of FS (2 PSI)
<b>TC Span</b>	≤ ±1.5% of FS ≤ ±2% of FS (2 PSI)

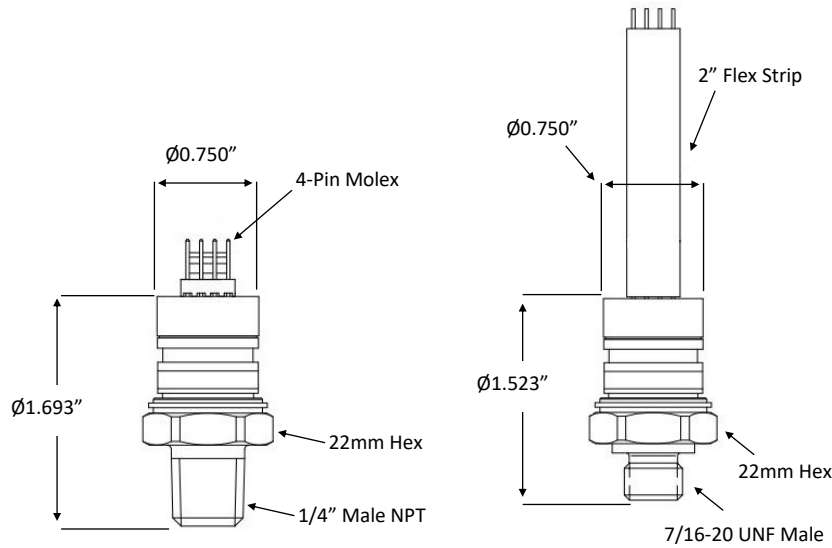
### Electrical

	<b>10mV/V</b>
<b>Excitation</b>	5VDC, typical 10VDC, max
<b>Current Consumption</b>	<5mA
<b>Input Impedance</b>	5000 Ohms, typical
<b>Output Impedance</b>	5000 Ohms, typical
<b>Frequency Response (min)</b>	~5kHz
<b>Zero Offset (of FS)</b>	± 2% max
<b>Span Tolerance (of FS)</b>	± 2% max

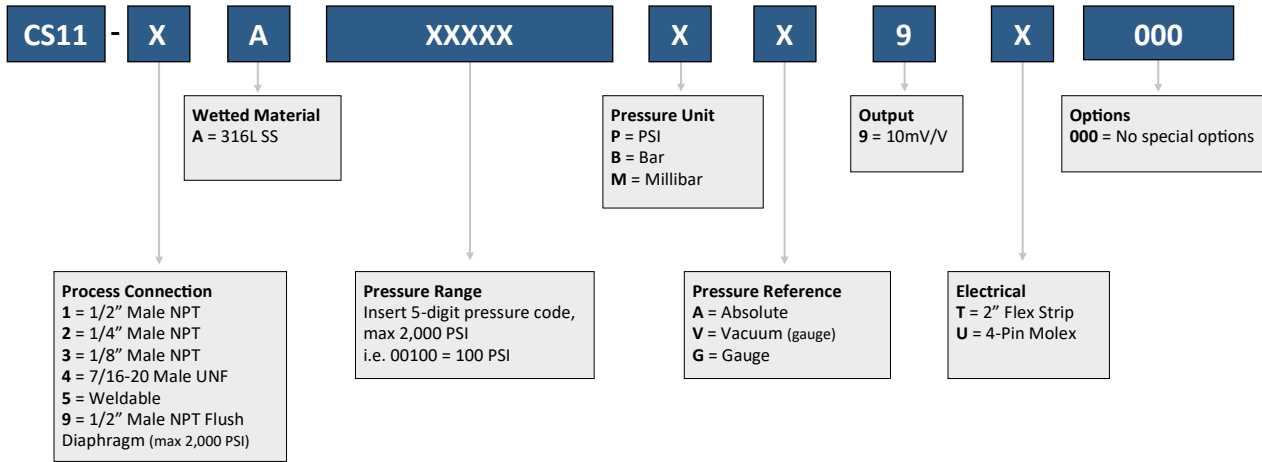
For wiring information, visit [core-sensors.com/wiring](http://core-sensors.com/wiring)

**DIMENSIONS**

\*Dimensions are for reference only



**MODEL NUMBER CONFIGURATION**



**Ordering Example:** CS11-2A00100PG9U000 (1/4" Male NPT, 316L SS, 0-100 PSI gauge, 10mV/V, 4-Pin Molex)

Not all configurations are available. Our sales team can recommend the closest available configuration based on your requirements.

Contact Core Sensors for configurations not shown.

Visit our [How To Buy](#) page or [contact us](#) for a quote.