

CS15 Non-Clogging Submersible Pressure Transducer



FEATURES

- Pressures from 2 PSI up to 50 PSI
- Heavy duty steel cage assembly
- Flush diaphragm prevents clogging
- 316L and 304 SS construction
- 4-20mA or voltage output
- Low power options available for remote telemetry applications!

COMMON APPLICATIONS

- Wastewater lift stations
- Liquid level measurement
- Tanks with viscous media
- Turbulent tanks

SPECIFICATIONS

Performance @ 25°C

Accuracy*	≤ ±0.25% BFSL ≤ ±0.5% BFSL (2 PSI)
Stability (1 Year)	≤ ±0.25% of FS
Pressure Cycles	50 million
Overpressure	2X minimum
Burst Pressure	5X or 250 PSI, whichever is less

*Accuracy includes non-linearity, hysteresis and non-repeatability

Environmental

EMI/RFI Protection	Yes
IP Rating	IP68
Vibration	10g, 20 to 2000Hz
Shock	100g, 11msec, 1/2 sine

Thermal

Operating Temperature	-40 to +85°C
Compensated Temperature	0 to +55°C
Storage Temperature	-40 to +125°C
TC Zero	≤ ±1% of FS ≤ ±2% of FS (2 PSI & below)
TC Span	≤ ±1% of FS ≤ ±2% of FS (2 PSI & below)

Physical

Weight (excluding cable)	~ 3.40 lb.
Wetted Material	Housing: 304SS 1/2" MNPT Conduit: 304SS Steel Cage: 304SS Diaphragm: 316L SS Strain Relief: Viton Form Seal: Viton O-Ring: Viton Cable Jacket: ETFE
Cable Conductors	22 AWG
Cable Pull Strength	150 lb.

SPECIFICATIONS...continued

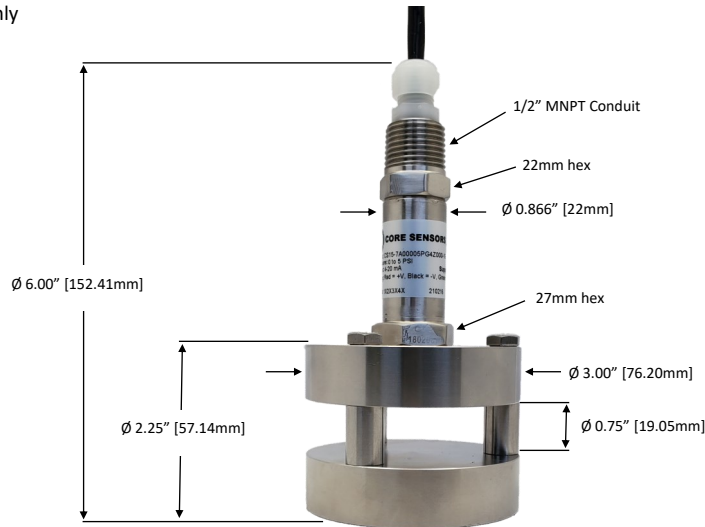
Electrical

	4-20mA	1-5V	0.5-4.5V ratiometric	0.5-2.5V non-ratiometric
Excitation	10-28VDC	10-28VDC	5VDC +/- 0.5V, regulated	3-5VDC, unregulated
Current Consumption	20mA, typical	<10mA	<10mA	≤3mA
Output Load	0-800 Ohms @ 10-28VDC	5K Ohms, min	5K Ohms, min	5K Ohms, min
Frequency Response (min)	~250Hz	~1kHz	~1kHz	~1kHz
Zero Offset (of FS)	≤ ± 0.5% typical ± 1% max	≤ ± 0.5% typical ± 1% max	≤ ± 0.5% typical ± 1% max	≤ ± 0.5% typical ± 1% max
Span Tolerance (of FS)	≤ ± 0.5% typical ± 1% max	≤ ± 0.5% typical ± 1% max	≤ ± 0.5% typical ± 1% max	≤ ± 0.5% typical ± 1% max

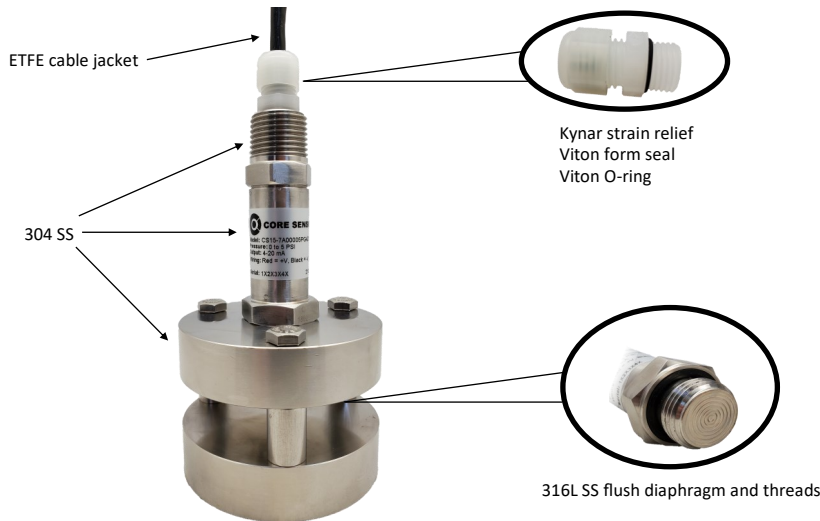
For wiring information, visit core-sensors.com/wiring

DIMENSIONS

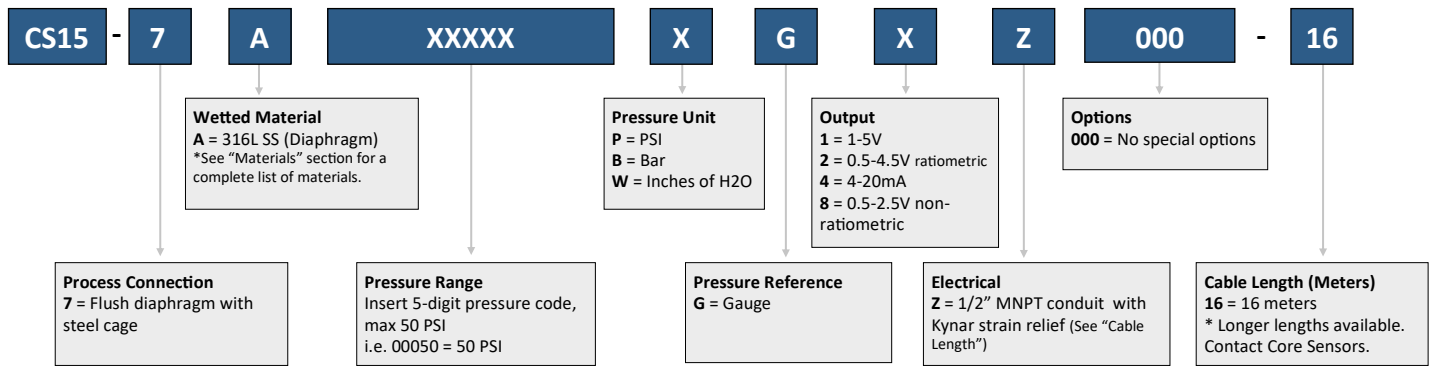
*Dimensions are for reference only



MATERIALS



MODEL NUMBER CONFIGURATION



Ordering Example: CS15-7A00010PG4Z000-16 (Steel cage, 316L SS, 0-10 PSI gauge, 4-20mA, 1/2" MNPT conduit w/ Kynar strain relief, 16 meter cable)
 Not all configurations are available. Our sales team can recommend the closest available configuration based on your requirements.
 Contact Core Sensors for configurations not shown.
 Visit our [How To Buy](#) page or [contact us](#) for a quote.