

Cooling Adapter

FEATURES

- 1/4" NPT connections - Male x Female
- 10,000 PSI max pressure rating
- 316L SS material
- Weighs approximately 8 oz.

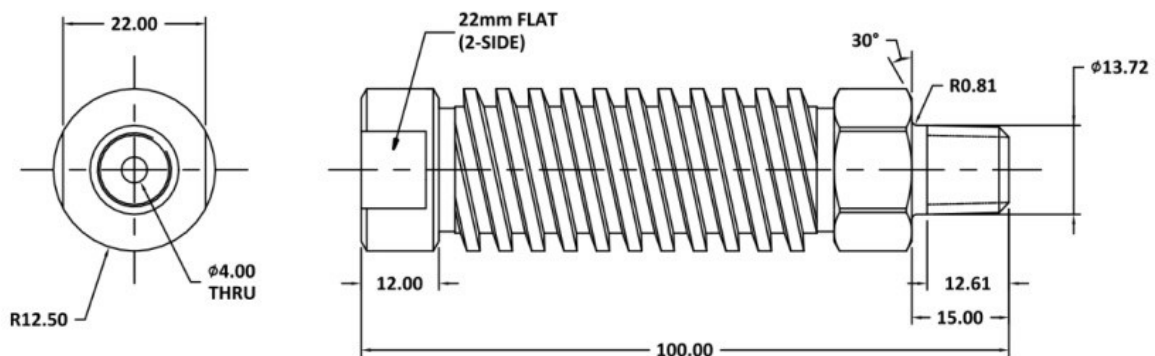
GREAT FOR....

- Steam
- Exhaust gas
- Super heated water
- Cryogenics



About the Cooling Adapter

For applications with extreme media temperatures that exceed the rating of the pressure transducer, Core Sensors offers an **all 316L SS cooling adapter**. The cooling adapter will reduce the media temperature before it makes contact with the transducer. Standard 1/4" NPT male and female connections allow for quick threaded installation. While factors such as ambient temperature, media temperature and airflow need to be considered, **temperature drops of 250°F are possible**. Multiple cooling adapters can be threaded together for even more cooling potential. The cooling adapter can also be used as a **heat exchanger for cold medias** compatible with 316L SS.



Dimensions in mm (millimeter)

How To Buy

Use part number **00449-00**.

Contact Core Sensors for pricing and availability.